

32A 2P+E 240V Interlocked Switched Socket IP44

Product Ref: **CX323P240SIS**

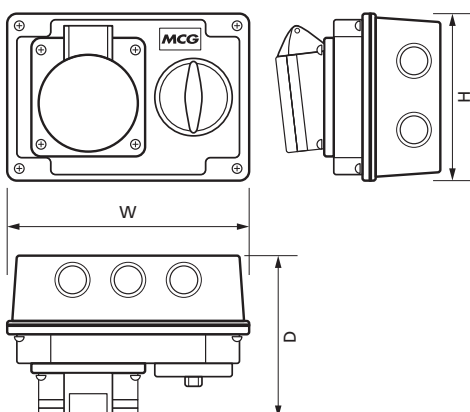
Technical Features:

- Suitable for small commercial and industrial applications
- Conforms to IEC/EN 60309-1/2
- Corrosion and impact resistant
- Colour coded for fast identification of operating voltage
- Safe and reliable
- Padlockable handle



Product Specification

Voltage Rating	240V
Current Rating	32A
IP Rating	IP44
Weight	0.618kg
Frequency	50/60Hz
Number of Poles	2P+E
Mounting	Wall
Cable Entry	M20/M25 Knockout Entries
Isolator	Yes
Colour	Blue
Material	Plastic
Compliance	UKCA, CE
Guarantee	1 Year
Standards	IEC/EN 60309-1/2
Depth	118mm
Height	120mm
Width	167mm



Errors and omissions excepted (E&OE). All information is subject to change without notice and is correct at the time of print. Refer to issue number and date below.

Tel: +44 (0)1302 342 642 • mcg.co.uk • [@mcg_industrial](https://twitter.com/mcg_industrial)